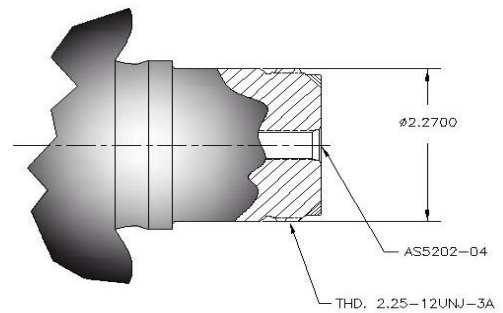


VIEW - A
 SCALE: 1/1



VIEW - B
 SCALE: 1/1

ARDE Part Number 4950			
Volume (cubic inches)	17000	Material of Construction	Inconel-718
Operating Pressure (psig)	4000	Liner	Mechanical Port
Proof Factor	1.25	Porting Interface	Fiber: T-1000
Minimum Burst Factor	1.50	Wrap	Resin: ARDE 31-43B
Actual Rupture Pressure (psig)	7117		Adhesive: Cytec FM-73
Weight (pounds)	111 (105 Nom)	Environmental Load	Contact ARDE
Qualification Basis Standard	MIL-STD-1522A		
	AIAA-S081		